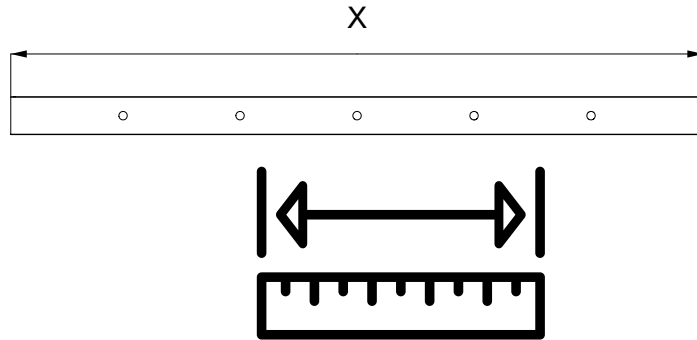


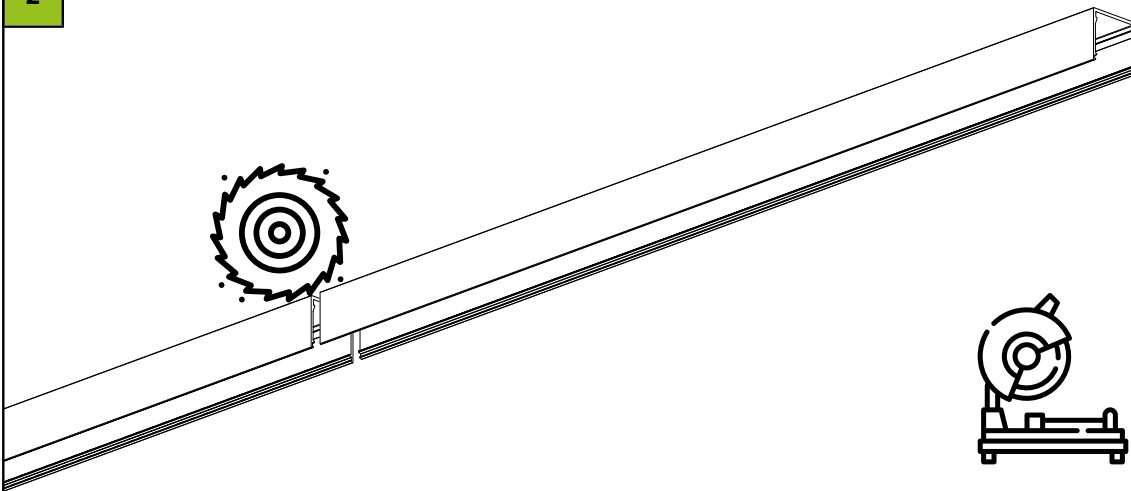
Item	Art. No.	Type
1	1100131	Profile G20
2	1100166	LED Module 827
	1100167	LED Module 830
	1100168	LED Module 835
	1100169	LED Module 840
	1100164	LED Module RGB
	1100165	LED Module TW
3	1100170	Connector single white (SW)
	1100172	Connector RGB
	1100171	Connector tunable white (TW)
4	1007948	End caps
5	1100173	Extender 827
	1100174	Extender 830
	1100175	Extender 835
	1100176	Extender 840
	1100178	Extender RGB
	1100177	Extender TW
6	1007987	Diffuser U20 opal
7	1007989	End caps diffuser



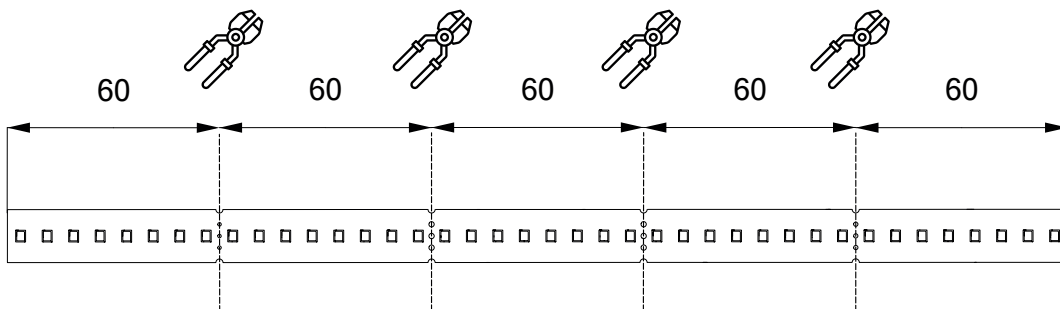
1



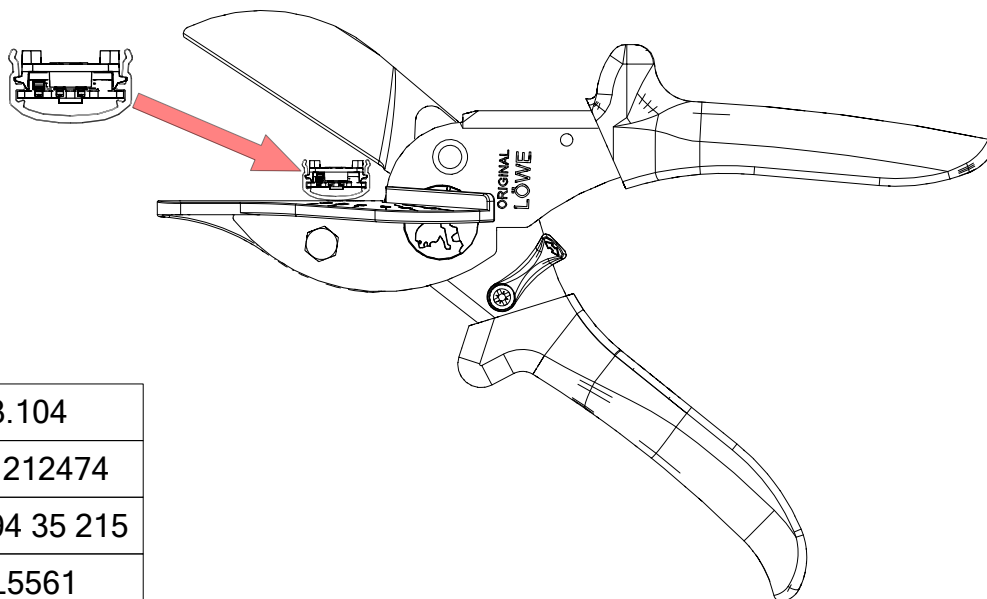
2



3

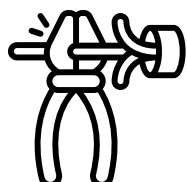
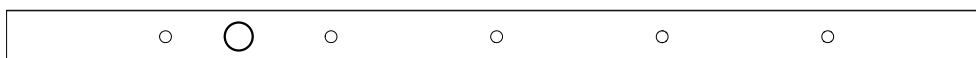
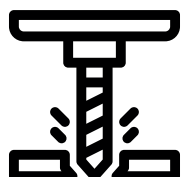


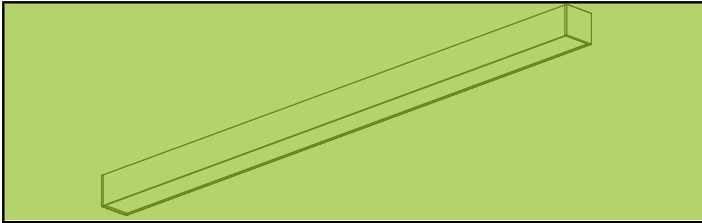
i



Löwe	3.104
Phönix	1212474
Knipex	94 35 215
Hager	L5561

4

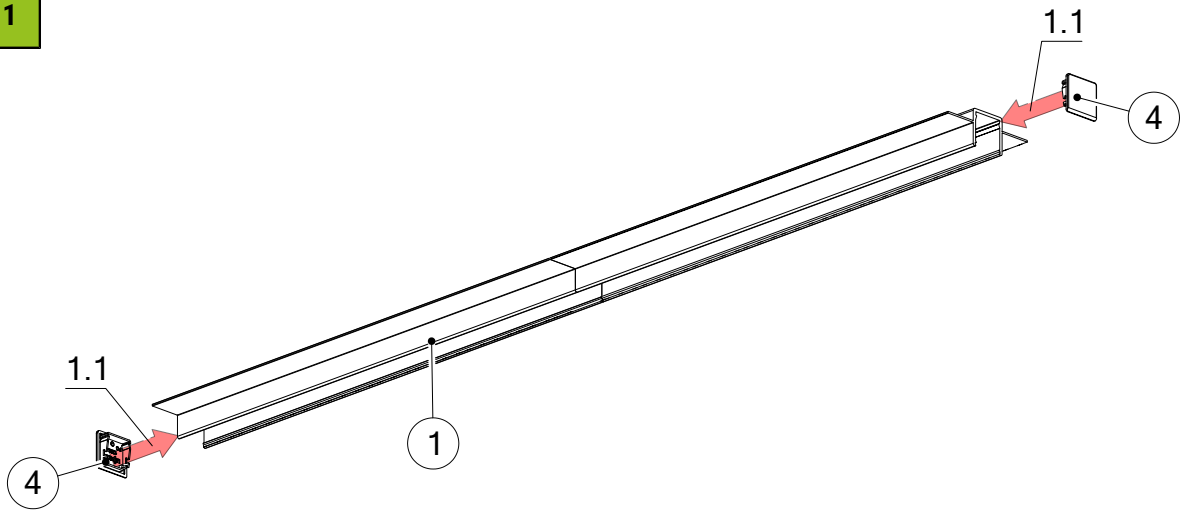




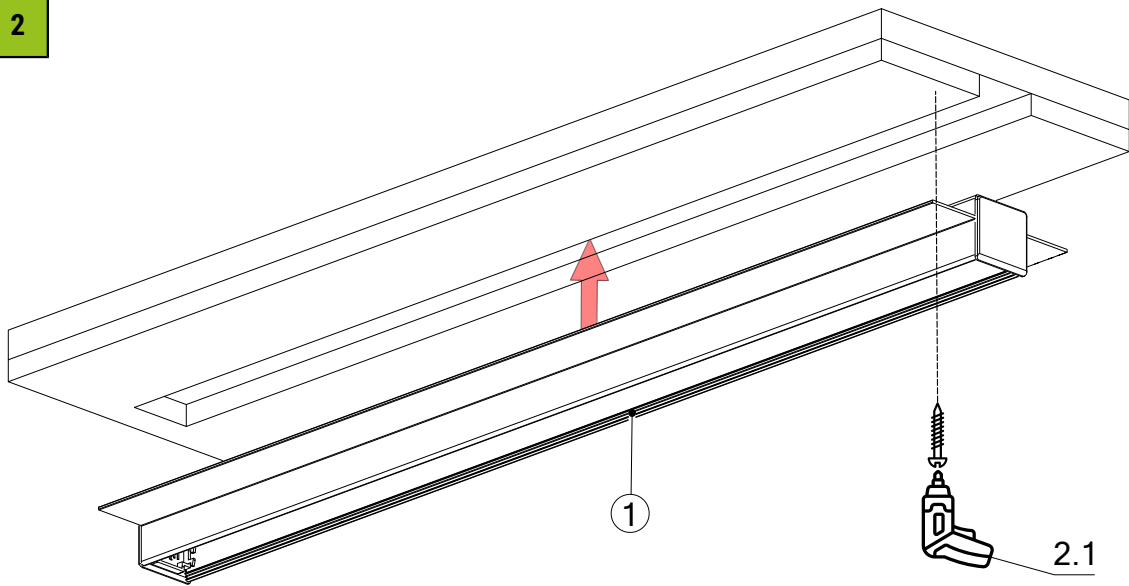
smarterion

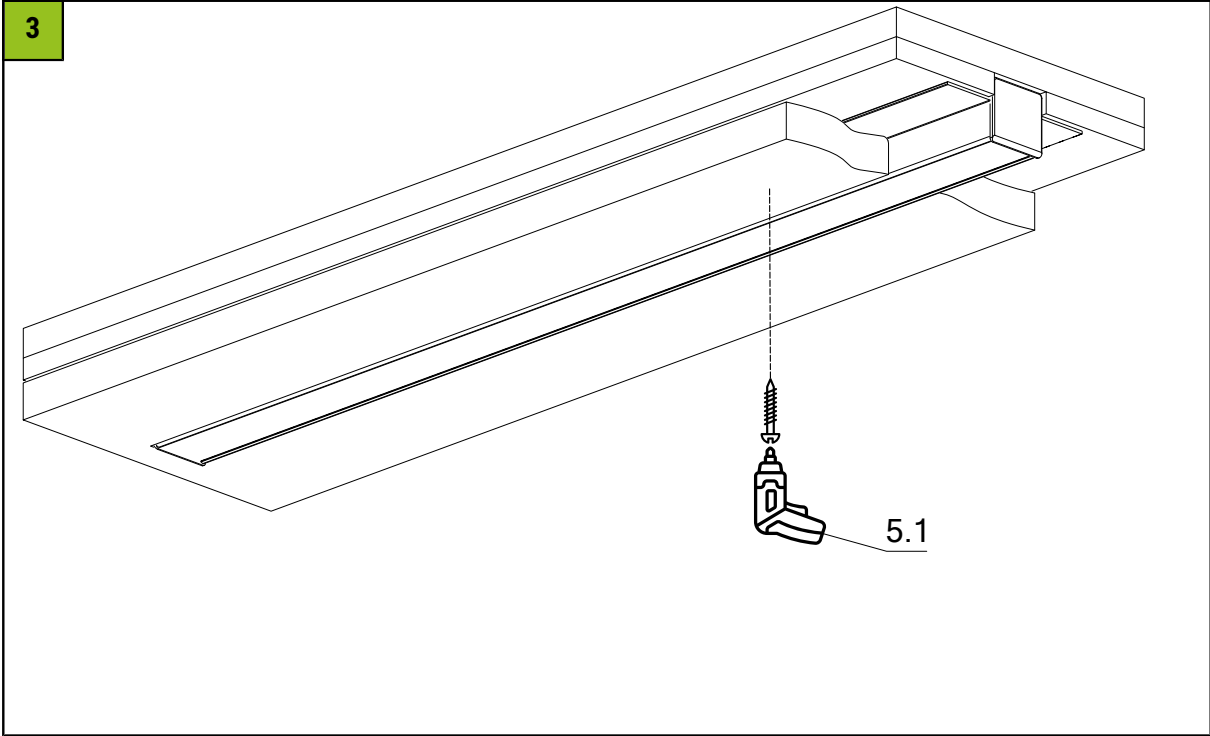
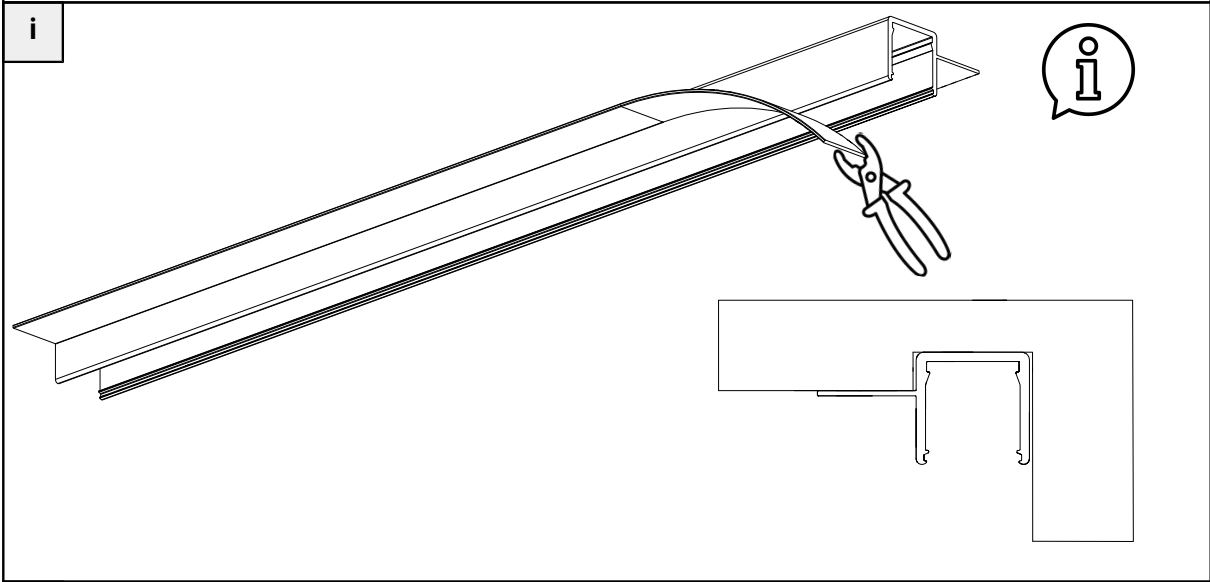
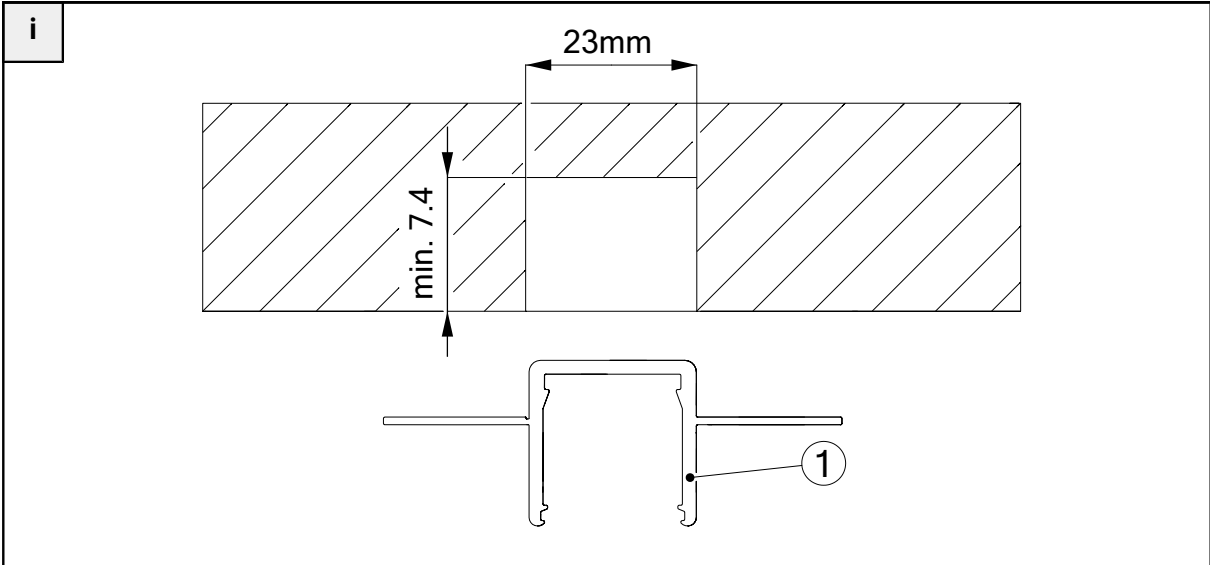
SCHWEIZER LED KOMPETENZ

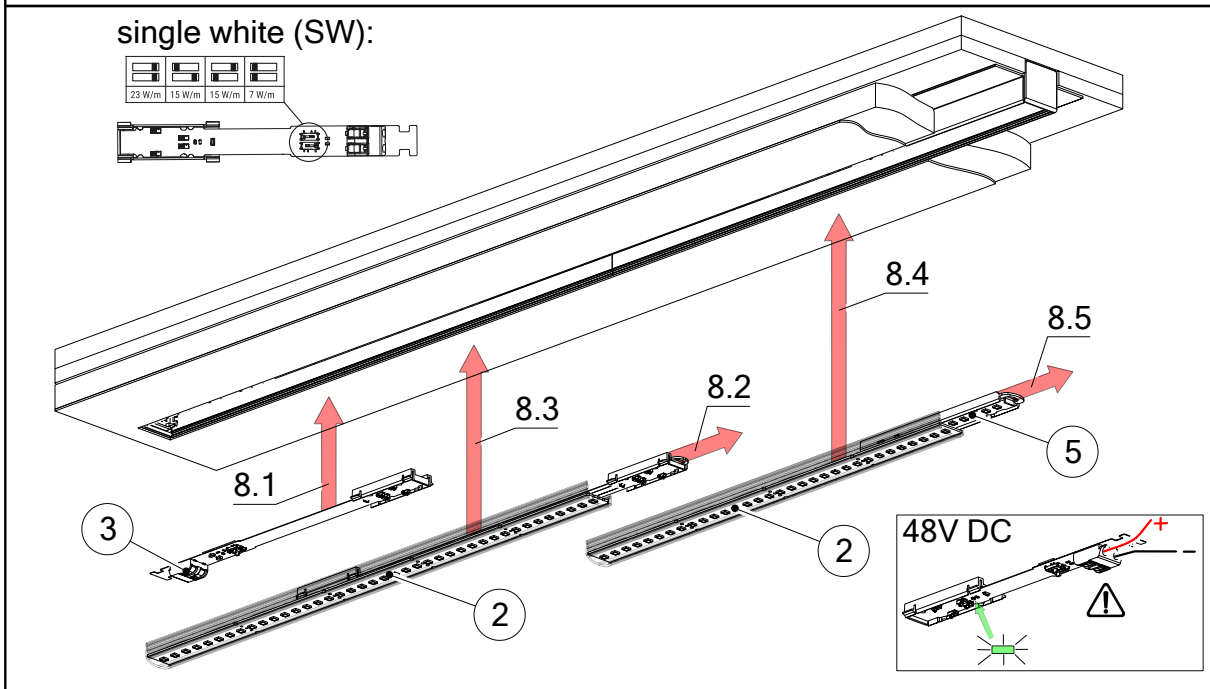
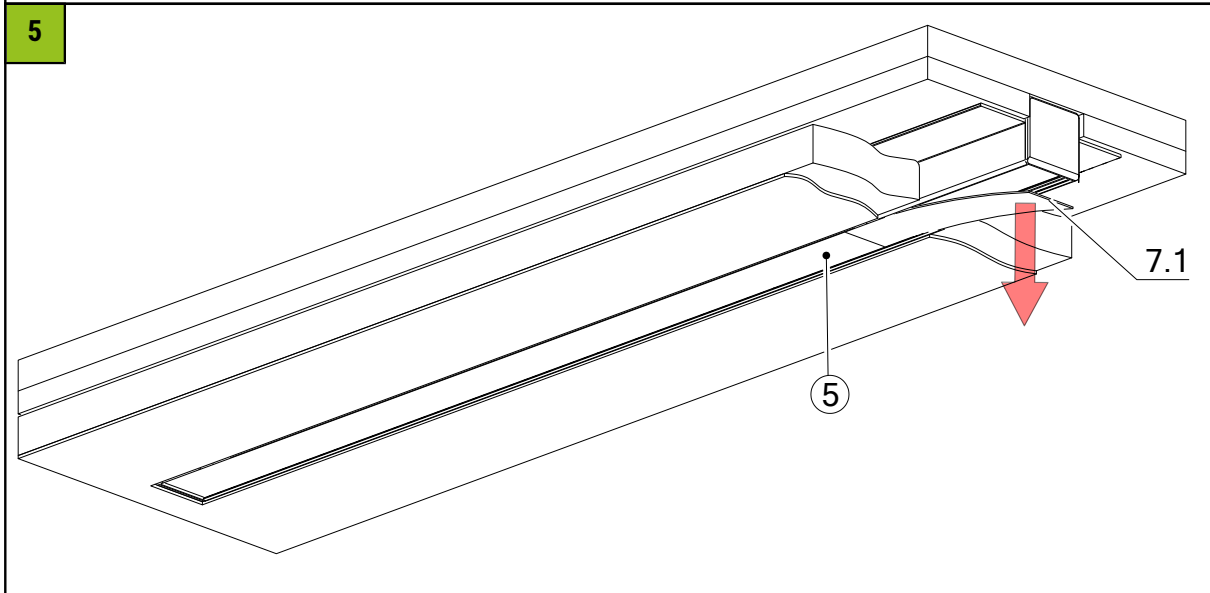
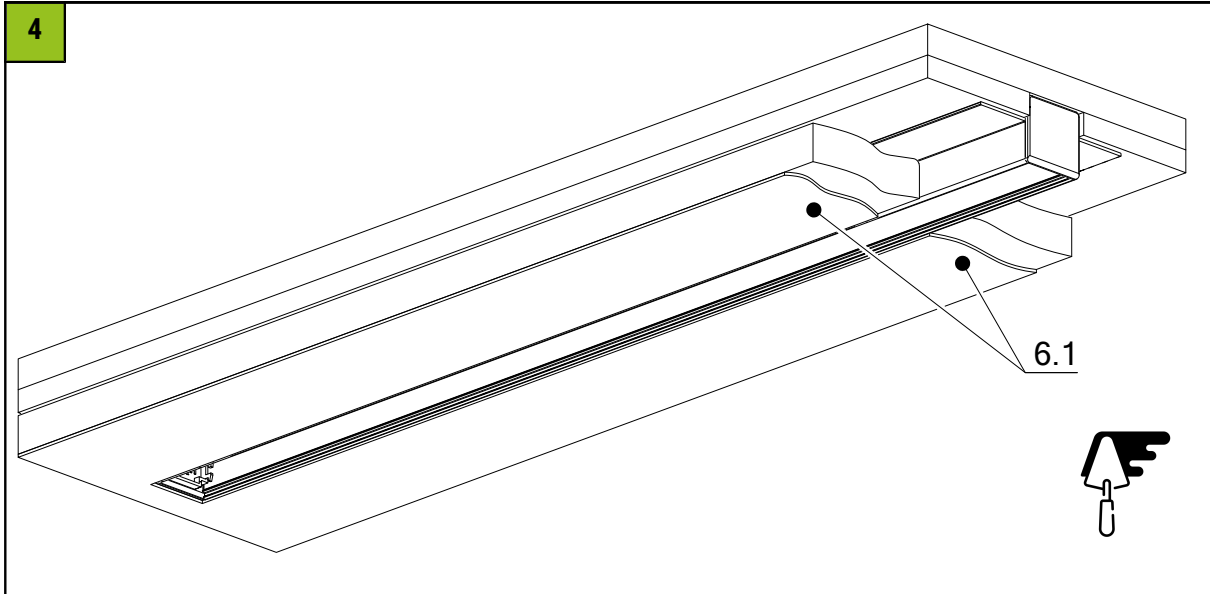
1



2



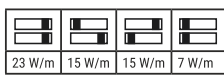




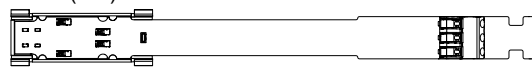
6

i

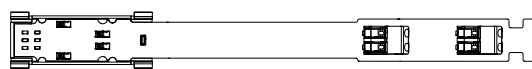
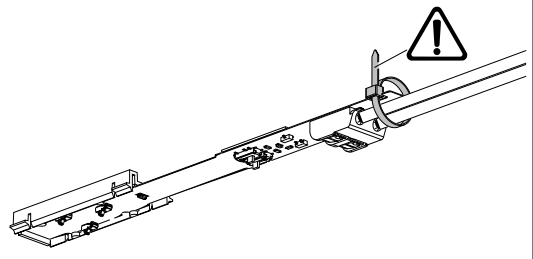
single white (SW):



tunable white (TW):



RGB:

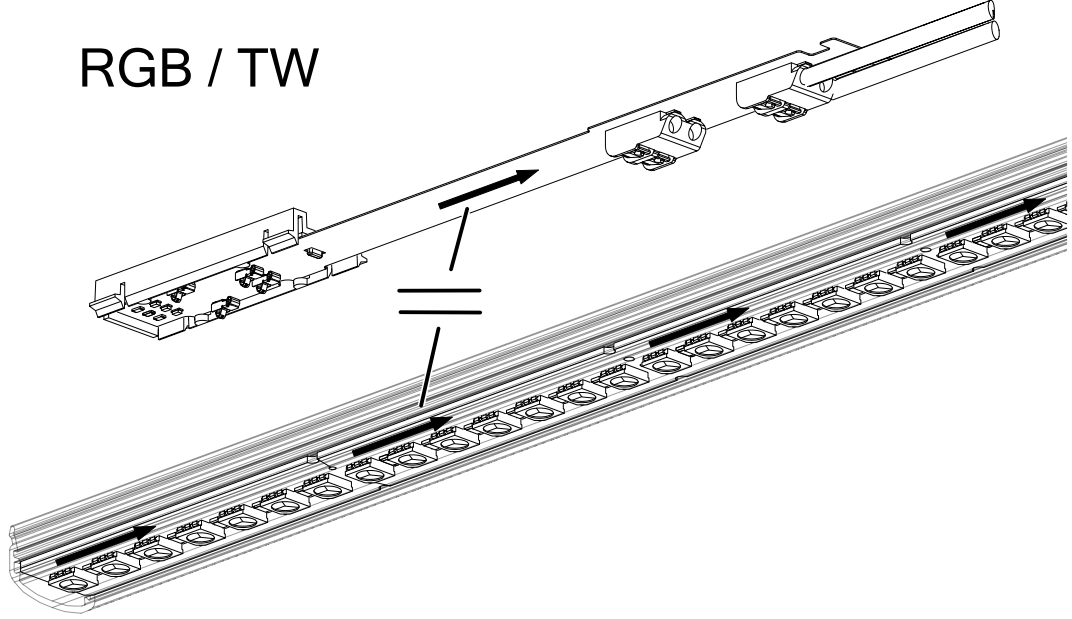



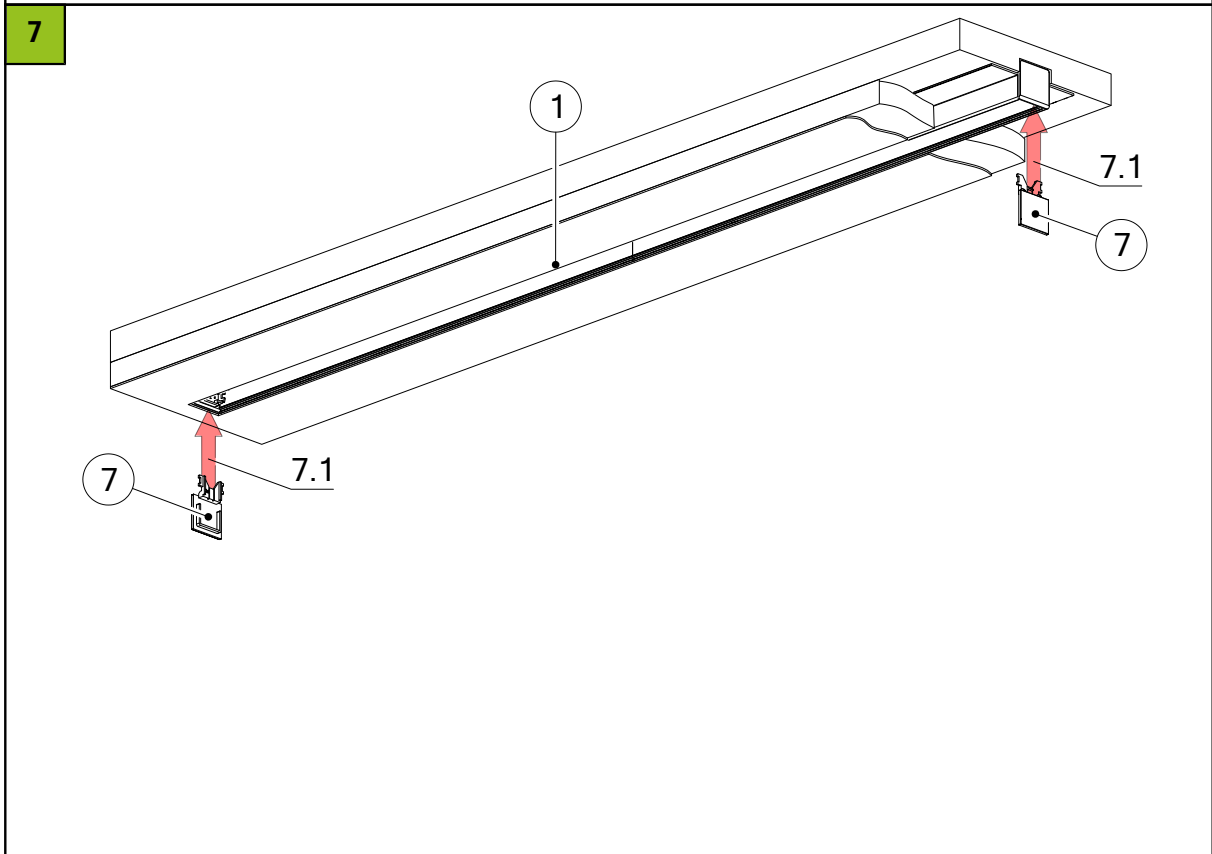
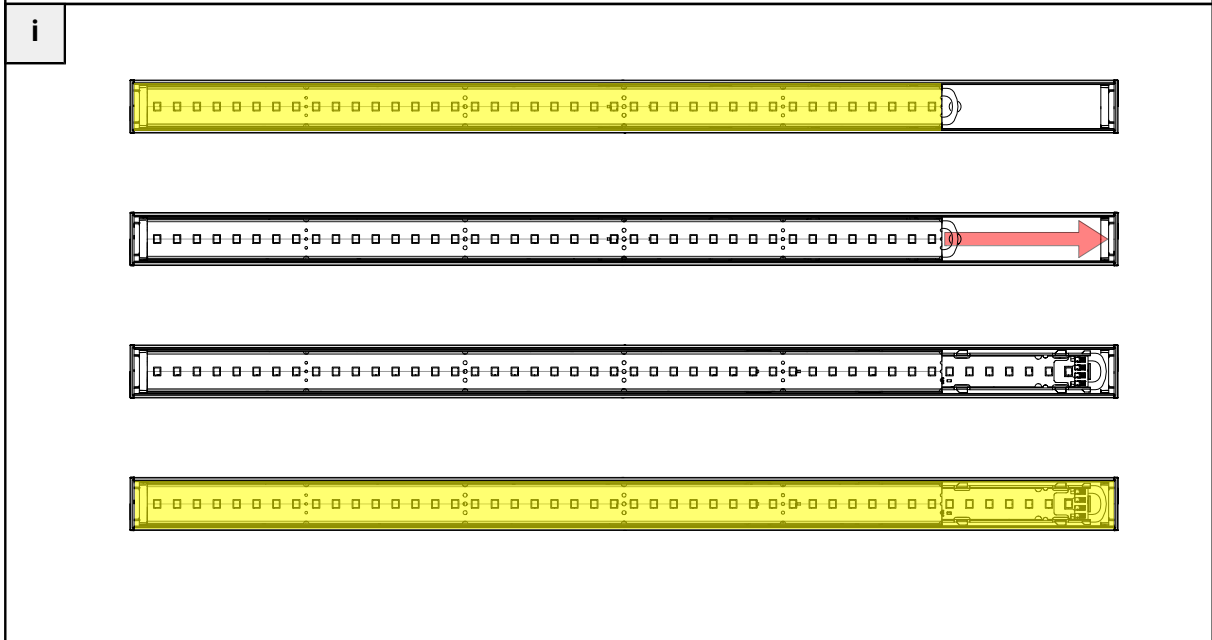
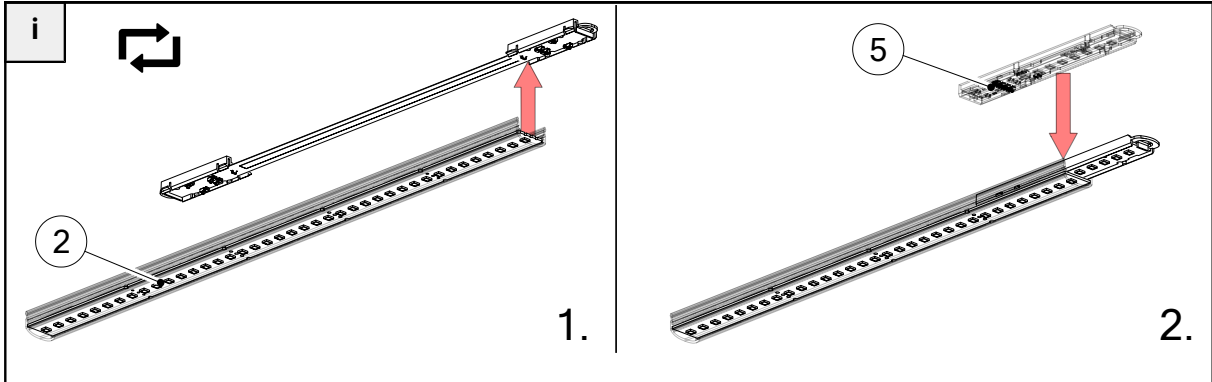
Cable length (1.5 mm ²)	7W/m	15W/m	23W/m
1 m	21 m	13 m	9 m
2 m	21 m	13 m	9 m
5 m	20 m	13 m	9 m
10 m	19 m	12 m	8 m
20 m	18 m	11 m	7 m

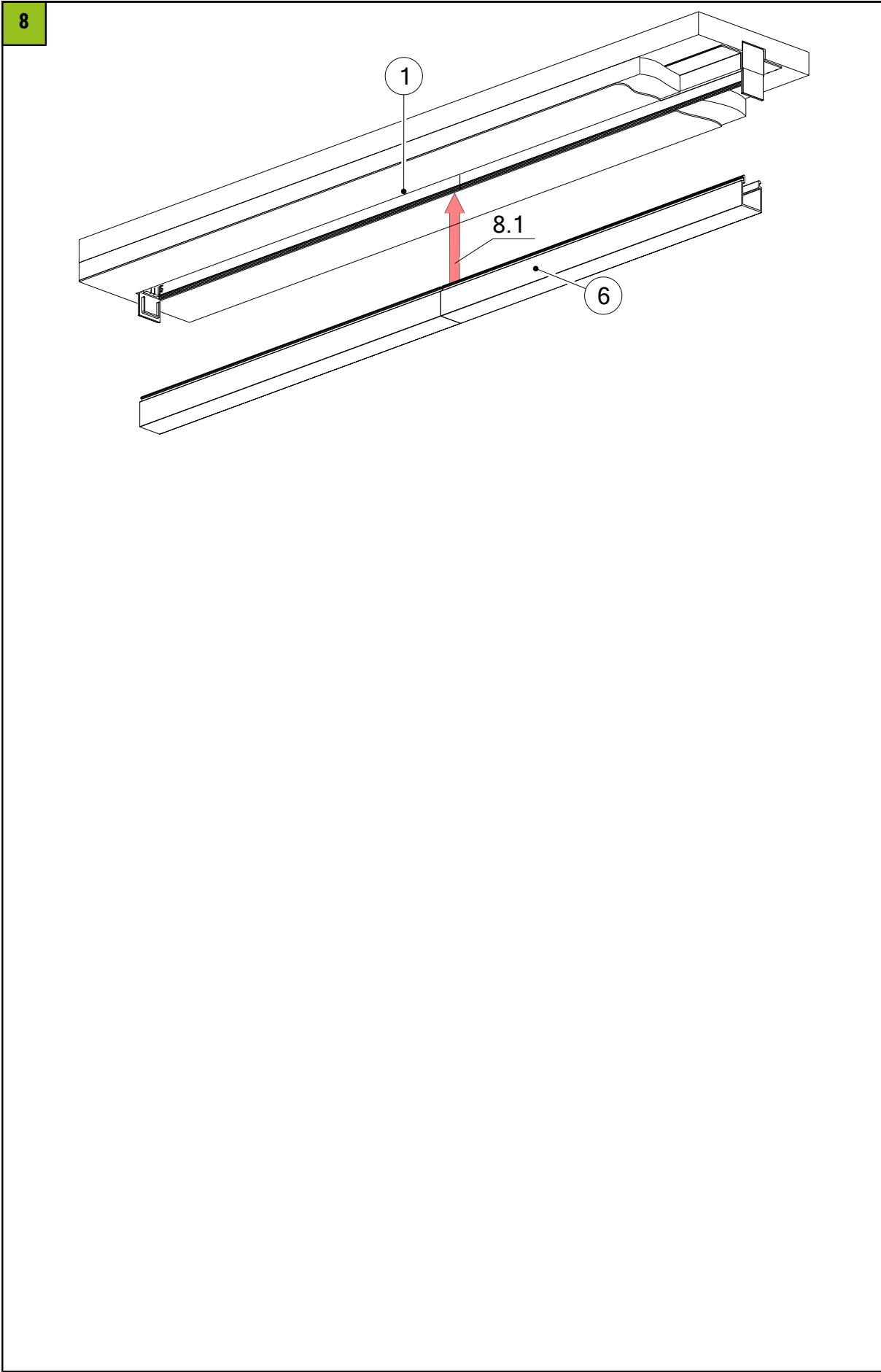
Cable length (0.75 mm ²)	TW	RGB
1 m	10 m	10 m
2 m	10 m	10 m
5 m	9 m	9 m
10 m	8 m	8 m
20 m	7 m	7 m

i

RGB / TW





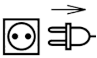




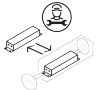


Cleaning and care

Clean the luminaire with a damp, lint-free cloth. Do not scrub! In case of heavy soiling, a weak soapy solution can be used (microfiber cloth with detergent). Do not use abrasive cleaners. Do not wipe the light dry, as the resulting static charge can destroy the electronics.

Warnings

Installation, commissioning and maintenance may only be carried out by authorized specialist personnel in accordance with these installation instructions and all applicable standards and regulations for the respective area of application. Ensure the electrical, mechanical and thermal suitability of the luminaire for the intended area of application and check that the luminaire is securely fastened after installation. The luminaire is intended solely for lighting purposes; any other use or installation is considered not as intended. Failure to observe the installation instructions may result in the destruction of the luminaire. We reserve the right to make technical changes. The light must be disconnected from the mains before any work is carried out on it. The manufacturer is not liable for damage resulting from incorrect installation, improper operation or unauthorized modifications to the luminaire.

	Disconnect the luminaire from the power supply.
	Caution, risk of electric shock!
	DISPOSAL The packaging must be recycled via the DSD (Green Dot) scheme or its equivalent. Dispose of the packaging correctly sorted. Waste electrical and electronic equipment must never be disposed of together with household waste. In accordance with the EU directives, the device must be disposed of in an orderly manner at the end of its service life. This means having the materials contained in the device recycled to avoid polluting the environment. Take the waste equipment to a collection point for electrical and electronic waste or to a recycling depot. For further information, please contact your local waste disposal service or your local authority.
	To avoid hazards, only LED converters approved by us may be used, otherwise all warranty claims will be invalidated. Exceptions can be approved by the manufacturer. Permitted LED converters: <ul style="list-style-type: none">- smarterion Triac Power supply units- Meanwell, HLG- Tridonic LC/LCA
	Light source replaceable by end user.
	Control gear can be replaced by a specialist: The transformer must be replaced by a qualified electrician.