

LUXKIT

Simple to handle, flexible to use.



Data sheet

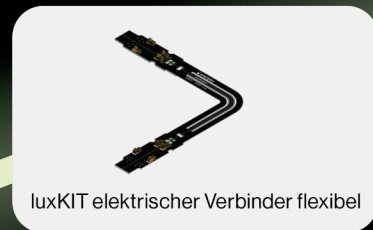
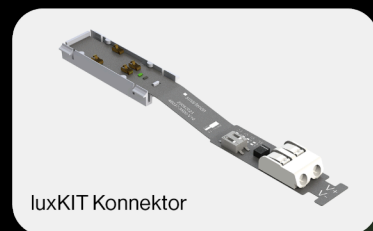
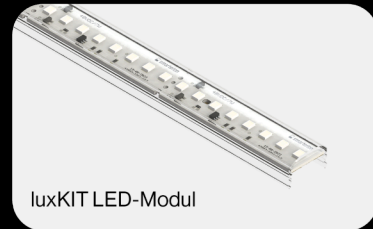
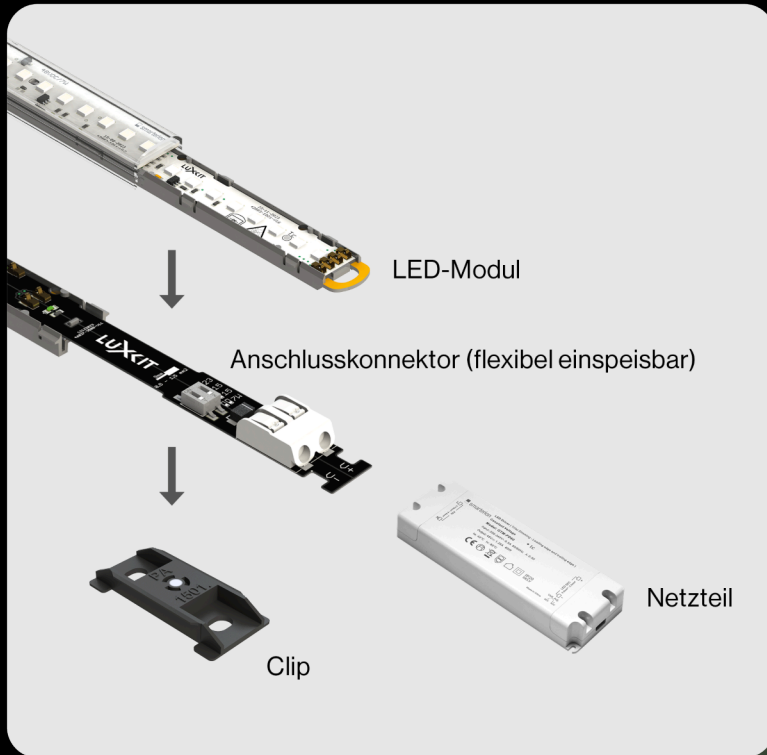
LED Modul

Ideal for cove lighting and indirect lighting in general.

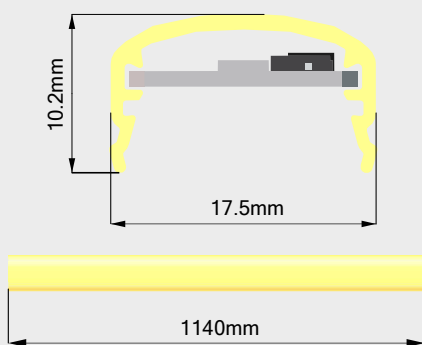
48 VDC control gear
LED modules incl. electrical connector linear

LED systems

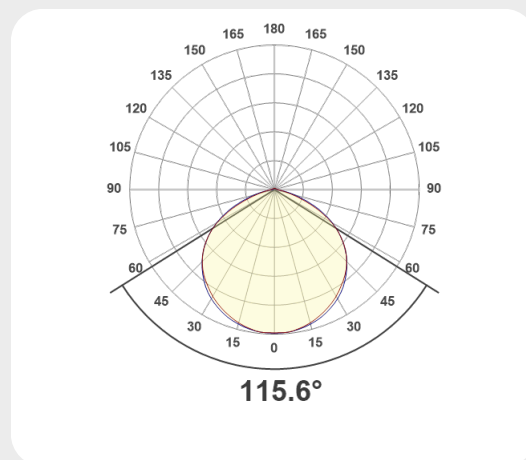
LED Modul



20.001 luxKIT LED Modul (ohne Profil)



Module length 1.2m



LED modules incl. electrical connector linear



Article number
1100164



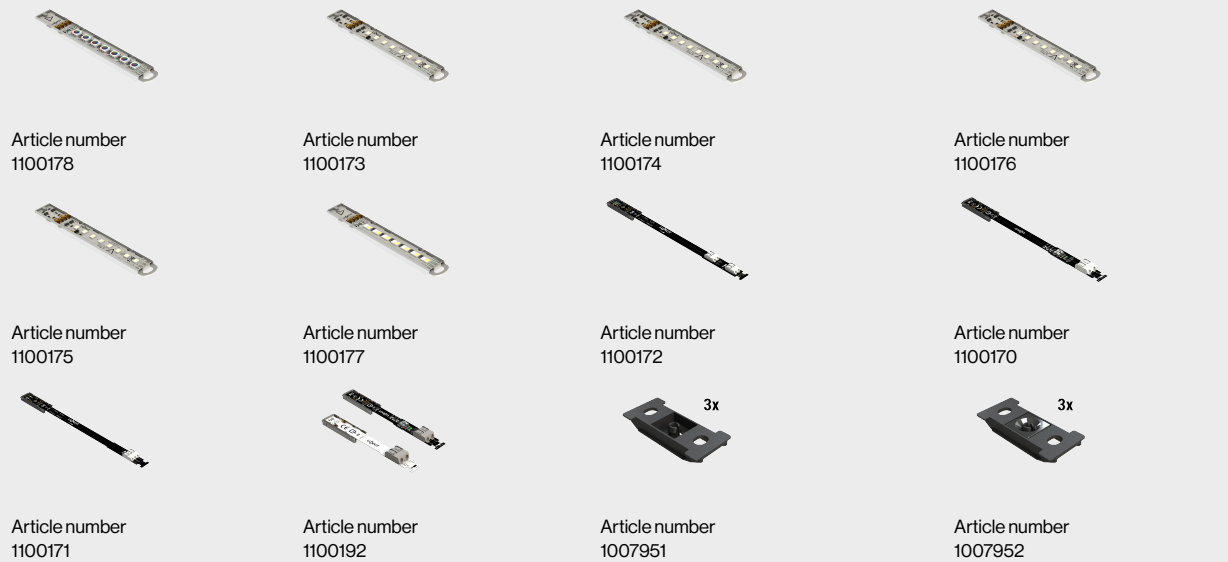
Article number
1100166 / 1100167 / 1100168 /
1100169



Article number
1100165

Article number	GTIN	Designation	Properties
1100164	7640382278395	luxKIT LED Modul RGB	48V DC
1100166	7640382278418	luxKIT LED Modul SW	48V DC / 2700 K / CRI80
1100167	7640382278425	luxKIT LED Modul SW	48V DC / 3000 K / CRI80
1100168	7640382278432	luxKIT LED Modul SW	48V DC / 3500 K / CRI80
1100169	7640382278449	luxKIT LED Modul SW	48V DC / 4000 K / CRI80
1100165	7640382278401	luxKIT LED Modul TW	48V DC / 2700...6500 / CRI80

Accessories



Article number	GTIN	Designation	Properties
1100178	7640382278531	luxKIT Module Extender RGB	
1100173	7640382278487	luxKIT Module Extender 827	
1100174	7640382278494	luxKIT Module Extender 830	
1100176	7640382278517	luxKIT Module Extender 840	
1100175	7640382278500	luxKIT Module Extender 835	
1100177	7640382278524	luxKIT Module Extender TW	
1100172	7640382278470	luxKIT 48V Konnector RGB	Anschlussklemme 0.75 mm ²
1100170	7640382278456	luxKIT 48V Konnector SW	Anschlussklemme 1.5 mm ²
1100171	7640382278463	luxKIT 48V Konnector TW	Anschlussklemme 0.75 mm ²
1100192	7640382278869	luxKIT Kabelverbinder SW	
1007951	7640382275592	Bracket	
1007952	7640382276254	Clamp with magnet	

48 VDC control gear



Article number
1007406



Article number
1100080



Article number
1007408



Article number
1100081



Article number
1007704

Article number
28003840 / 28003841 / 28003842 /
28003843 / 87501112 / 87501113 /
87501114 / 87501115



Article number
1100079

Article number		GTIN	Designation	Properties
28003841		9006210762043	Power supply LC 60W 48V one4all	L 195 x W 43 x H 30 mm
28003842		9006210762111	Power supply LC 100W 48V one4all	L 225 x W 43 x H 30 mm
28003843		9006210762180	Power supply LC 200W 48V one4all	L 325 x W 43 x H 30 mm
87501112		9006210833934	Power supply LC 35W 48V	L 142 x W 43 x H 30 mm
87501113		9006210833941	Power supply LC 60W 48V	L 225 x W 43 x H 30 mm
87501114		9006210833958	Power supply LC 100W 48V	L 295 x W 43 x H 30 mm
87501115		9006210833965	Power supply LC 200W 48V	L 325 x W 43 x H 30 mm
28003840		9006210761978	Power supply LC 35W 48V	L 195 x W 43 x H 30 mm
1007406		7640382275080	Power supply 48V 60W triac	L 178 x W 61 x H 24 mm
1007408		7640382275103	Power supply 48V 90W triac	L 180 x W 60 x H 35 mm
1007704		7640382275158	Power supply 48V 200W phase dimmable	L 343 x W 68 x H 41 mm
1100079		7640382277855	LED Controller Bluetooth for TW/RGB	L 179 x W 56 x H 30 mm
1100080		7640382277879	Radio remote control for LED controller	L 122 x W 53 x H 17.5 mm
1100081		7640382277862	DALI Dimmer TW/RGB	L 175 x W 45 x H 27 mm

Specific technical data LED module

Article number 1100164

Performance	Luminous flux	Color temperature	CRI	SDCM	Maximum length *)	Energy class
5.1 W	297 lm	red			10 m	
5.9 W	614 lm	green			10 m	
5.5 W	167 lm	blue			10 m	
17.1 W	981 lm	RGB			10 m	

Article number 1100165

Performance	Luminous flux	Color temperature	CRI	SDCM	Maximum length *)	Energy class
17.1 W	2131 lm	2700 K	80	3	10 m	D
17.1 W	2315 lm	6500 K	80	5	10 m	D

Article number 1100166

Performance	Luminous flux	Color temperature	CRI	SDCM	Maximum length *)	Energy class
8 W	1150 lm	2700 K	80	3	21 m	D
17.1 W	2464 lm	2700 K	80	3	13 m	D
26.2 W	3778 lm	2700 K	80	3	9 m	D

Article number 1100167

Performance	Luminous flux	Color temperature	CRI	SDCM	Maximum length *)	Energy class
8 W	1160 lm	3000 K	80	3	21 m	D
17.1 W	2486 lm	3000 K	80	3	13 m	D
26.2 W	3812 lm	3000 K	80	3	9 m	D

Article number 1100168

Performance	Luminous flux	Color temperature	CRI	SDCM	Maximum length *)	Energy class
8 W	1226 lm	3500 K	80	3	21 m	D
17.1 W	2627 lm	3500 K	80	3	13 m	D
26.2 W	4029 lm	3500 K	80	3	9 m	D

Article number 1100169

Performance	Luminous flux	Color temperature	CRI	SDCM	Maximum length *)	Energy class
8 W	1253 lm	4000 K	80	3	21 m	D
17.1 W	2686 lm	4000 K	80	3	13 m	D
26.2 W	4118 lm	4000 K	80	3	9 m	D

*) The specification of the maximum length refers to a connection cable with a length of 1 m and a cross-section of 1.5mm². The maximum length decreases with increasing length and smaller cross-section. Here you will find a table with different cable lengths: [download](#)

Technical data

Storage temperature	-25 ... +50 °C
Max. surface temperature	65 °C
maximum temperature tc	85 °C
Photobiological risk group (EN62471)	RG1
Ambient temperature ta	25 °C
Service life L80B10 (h) @ ta = 25°C	80000 h

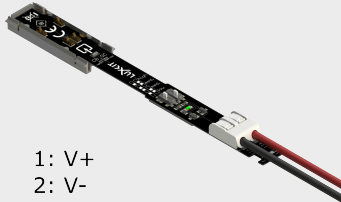
Lighting design

RELUX[®]

click on the Relux icon to access our lighting design data directly

Electrical connection

Single White



- 1: V+
- 2: V-

Ø0.5 - 1.5mm²
48V DC

Tunable White



- 1: V+
- 2: WW-
- 3: CW-

Ø0.2 - 0.75mm²
48V DC

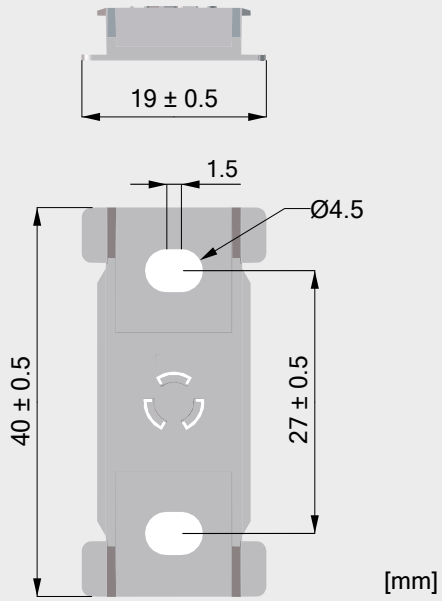
RGB



- 1: V+
- 2: R-
- 3: G-
- 4: B-

Ø0.2 - 0.75mm²
48V DC

20.001 luxKIT LED Modul (ohne Profil)
Dimensions



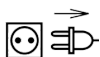
LED systems LED Modul

Cleaning and care

Clean the luminaire with a damp, lint-free cloth. Do not scrub! In case of heavy soiling, a weak soapy solution can be used (microfiber cloth with detergent). Do not use abrasive cleaners. Do not wipe the light dry, as the resulting static charge can destroy the electronics.

Warnings

The equipment may only be installed and put into service by authorised technical personnel (electrical fitters). The luminaire is designed solely for lighting applications and is to be installed according to the installation regulations. Any other form of use or installation is considered to be improper. Failure to comply with the installation instructions can damage the luminaire beyond repair. Return to the manufacturer if any defects are identified. The installation instructions must be retained for future reference. Subject to technical changes. Not to be installed on a wet or conductive substrate. The luminaire is only to be installed, put into service or modified in any way by authorised skilled personnel (a qualified electrician). National installation regulations must be observed. Before any work is performed on the luminaire, it must be disconnected from mains. Hot plug-in is not an option and may cause damage to the luminaire! The manufacturer is not liable for damage resulting from improper/faulty installation or operation, or from unauthorised modifications to the luminaire. The light source contained in this luminaire is only to be replaced by the manufacturer, a service technician authorised by the manufacturer or a similarly qualified person. Caution, risk of electric shock! In the event of questions or queries, please contact the manufacturer.



Disconnect the luminaire from the power supply.



Caution, risk of electric shock!



DISPOSAL

The packaging must be recycled via the DSD (Green Dot) scheme or its equivalent. Dispose of the packaging correctly sorted. Waste electrical and electronic equipment must never be disposed of together with household waste. In accordance with the EU directives, the device must be disposed of in an orderly manner at the end of its service life. This means having the materials contained in the device recycled to avoid polluting the environment. Take the waste equipment to a collection point for electrical and electronic waste or to a recycling depot. For further information, please contact your local waste disposal service or your local authority.



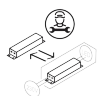
To avoid hazards, only LED converters approved by us may be used, otherwise all warranty claims will be invalidated. Exceptions can be approved by the manufacturer.

Permitted LED converters:

- smarterion Triac Power supply units
- Meanwell, HLG
- Tridonic LC/LCA



Light source replaceable by end user.



Control gear can be replaced by a specialist: The transformer must be replaced by a qualified electrician.



To identify the light-emitting diode (LED) module, generally designed to form a replaceable part built into a luminaire, a box, an enclosure or the like and not intended to be mounted outside a luminaire, etc. without special precautions. The symbol shall be placed on the packaging or on the module itself to distinguish from independent modules.



Working voltage insulation between active parts of the LED module and external accessible conductive parts: BASIC insulation for SELV < 60 Vdc operation only.

LUXKIT

Simple to handle, flexible to use.